



# ACCEL BIKE II & Mini Keypad

*User manual*



07/01/2021






**L'électronique au service de l'automobile**

## Table of contents

<b>POSSIBLE CONFIGURATIONS .....</b>	<b>3</b>
<b>ACCEL BIKE II .....</b>	<b>4</b>
PRESENTATION OF <b>ACCEL BIKE II</b> .....	4
<i>Location in the vehicle</i> .....	4
<i>Vehicles concerned</i> .....	4
<i>Speed limiter deactivation</i> .....	4
HOW TO USE <b>ACCEL BIKE II</b> .....	5
<i>Product security</i> .....	5
<i>ACCEL BIKE II activation</i> .....	5
<i>Set back to normal use</i> .....	5
<i>Speed limiter deactivation</i> .....	5
<b>MINI KEYPAD .....</b>	<b>6</b>
PRESENTATION OF <b>MINI KEYPAD</b> .....	6
<i>Location in the vehicle</i> .....	6
<i>Vehicles concerned</i> .....	6
HOW TO USE THE <b>MINI KEYPAD</b> .....	7
<i>Activation</i> .....	7
<i>Secondary functions locations</i> .....	7
NOTES .....	8
<i>MINI KEYPAD functions activation</i> .....	8
<i>MINI KEYPAD functions deactivation</i> .....	8

## POSSIBLE CONFIGURATIONS

You have in your vehicle the ACCEL BIKE II, the mini-keypad or both products. See below the different configurations introduced in this user manual.

Equipement	Product picture	Part in the manual	Comments
ACCEL BIKE II		« <b>ACCEL BIKE II</b> »	<i>The Mini Keypad is not in this configuration.</i>
MINI KEYPAD + ACCEL BIKE II deactivated		« <b>MINI KEYPAD</b> »	<i>ACCEL BIKE II is deactivated (no acceleration with the twist grip).</i>
ACCEL BIKE II + MINI KEYPAD		« <b>ACCEL BIKE II</b> » « <b>MINI KEYPAD</b> »	Both systems can work

## **ACCEL BIKE II**

### Presentation of **ACCEL BIKE II**

#### ***Location in the vehicle***

**ACCEL BIKE II** can be mounted to the left or right of the steering wheel. You can accelerate and brake with this all-in-one driving aid.

#### ***Vehicles concerned***

**ACCEL BIKE II** can be installed on any vehicle with automatic transmission and an electronic accelerator pedal.

Two possibilities for driving:

- Conventional, with accelerator pedal
- Manual, with **ACCEL BIKE II**

#### ***Speed limiter deactivation***

**ACCEL BIKE II** has an electronic kick down to deactivate the speed limiter (see page 7)



## How to use **ACCEL BIKE II**

### **Product security**

Acceleration cuts out when braking is applied.

### **ACCEL BIKE II activation**

At the moment of starting up, the original pedal is active.

To activate **ACCEL BIKE II** please follow the instructions below:



- Do not touch ACCEL BIKE II when you start on the vehicle and during its activation.

1. Start on your vehicle.
2. A 30 second pressure on the push button after the starting up of the engine activates the manual mode, warning light turned on to confirm this selection.

**Accel Bike II not activated**



**Accel Bike II activated**



If **ACCEL BIKE II** is not selected after 30 seconds, it is necessary to restart the engine and repeat the selection procedure.

### **Set back to normal use**

Switch off your engine and start it up again.

### **Speed limiter deactivation**

To deactivate the speed limiter (when overtaking for example), you just need to twist the grip "at rest". If you need to activate the speed limiter again, you need to switch it on with the original switches.

## **MINI KEYPAD**

### Presentation of **MINI KEYPAD**

#### **Location in the vehicle**

The **MINI KEYPAD** is located on **ACCEL BIKE II**. You can activate secondary driving controls with it.

#### **Vehicles concerned**

We can install **MINI KEYPAD** on most vehicles (contact us if you need more info).

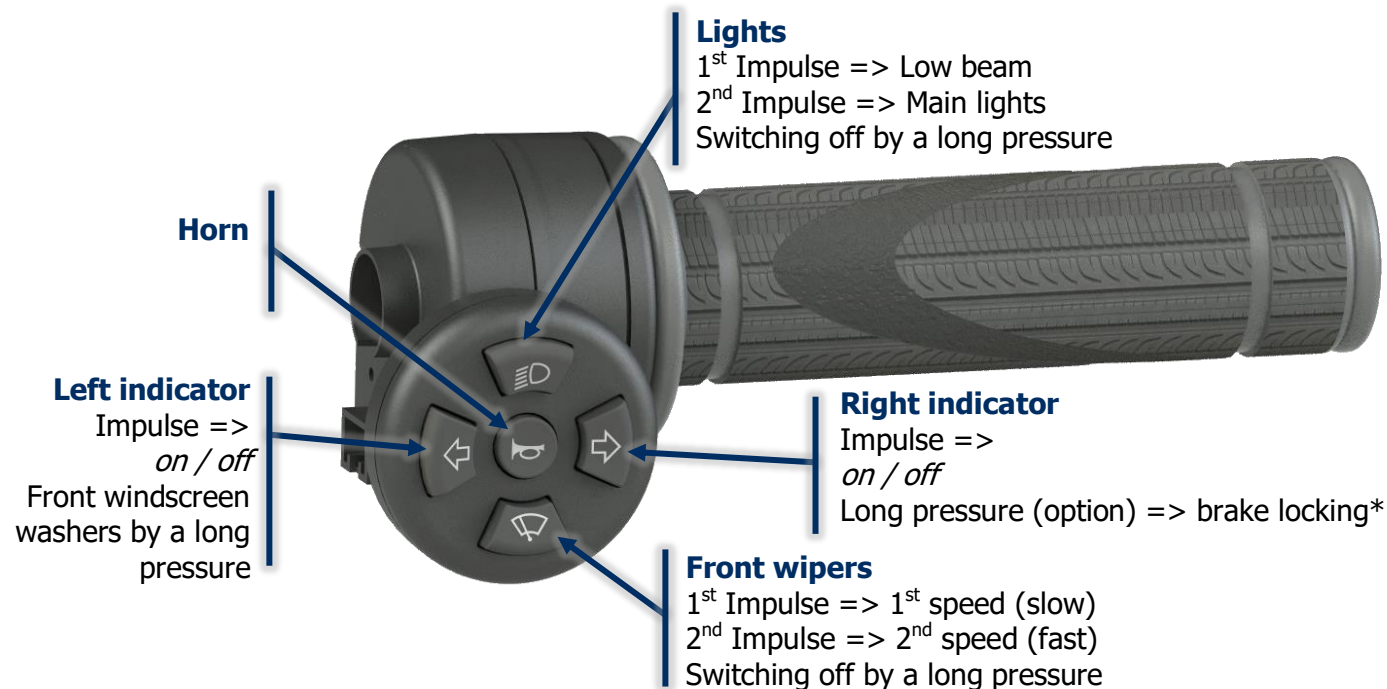


## How to use the **MINI KEYPAD**

### Activation

When you start on the vehicle, the functions from the **MINI KEYPAD** are active.

### Secondary functions locations



*\*If you have a manual brake Stopdis II FUA with a locking system, you can lock the brake lever by a long press on the right indicator button. Please read carefully the user manual from Stopdis II before using it. SOJADIS Equipment does not assume any liability if an accident or property damage has been occurred due to improper use as described into the manual brake user manual.*

## Notes

### **MINI KEYPAD functions activation**

When a function is activated by the **MINI KEYPAD**, you need to deactivate the function by the **MINI KEYPAD**.

### **MINI KEYPAD functions deactivation**

To cancel the functions of the **MINI KEYPAD**, you just need to switch off the engine.