

Notice d'installation spécifique

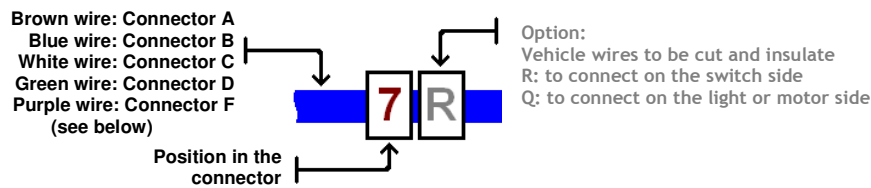
F149-SCP & F102-AES

The mounting set is a wiring harness specially designed for these vehicles ⇒



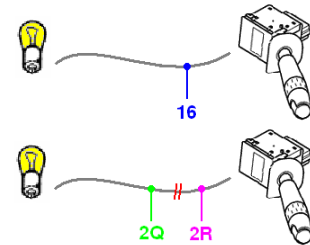
Installation on the vehicle

Cut the needed length of wires of **COMDIS®** wiring harness and connect them (weld and insulate) to the vehicle as indicated (see below)



Examples:

- The wire **1 / 6** has to be connected to the pin 16 of the vehicle connector B.
- The wire **6 Q** has to be connected to the way/pin 6 from the vehicle connector C - side "lights". The vehicle wire is cut and insulate.



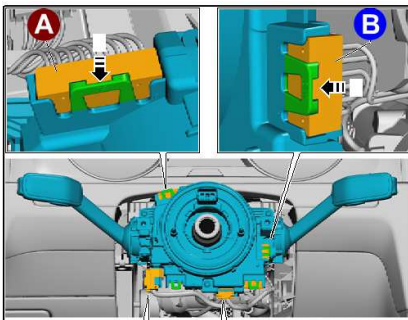
Vehicle connector

A White connector 8 pins

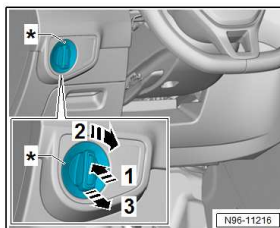
(on the left side from top column module/calculator)

B White connector 6 pins

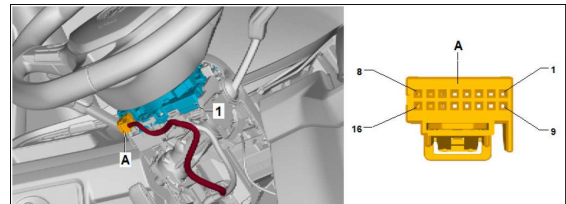
(on the right side from top column module/calculator)



C Red connector 10 pins
(on the light switch)

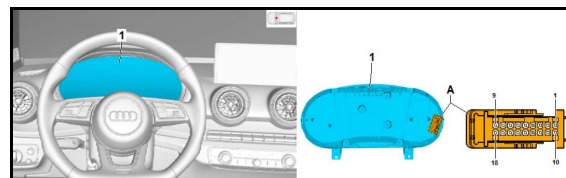


D Black tab connector (red tab) 16 pins
(on the bottom of the top column)



F Black connector 18 pins
(only for MONDIS - driving instructor tab)

(behind the handset)



Wiring depending on the vehicle

- Golf : H ⇒ 12, L ⇒ 13
- Tiguan : H ⇒ 18, L ⇒ 17